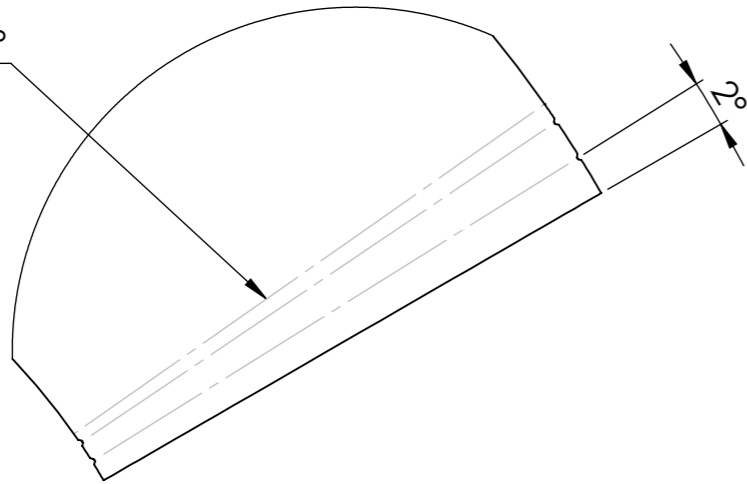
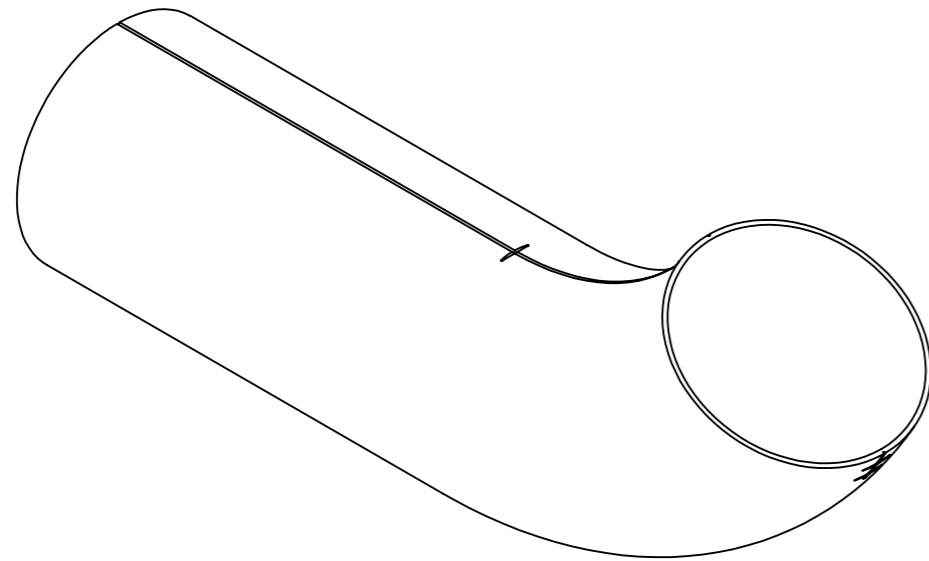
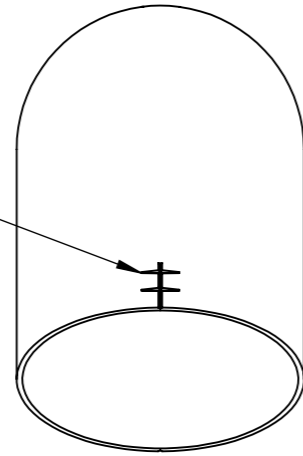


The bends are made in steps of 5°

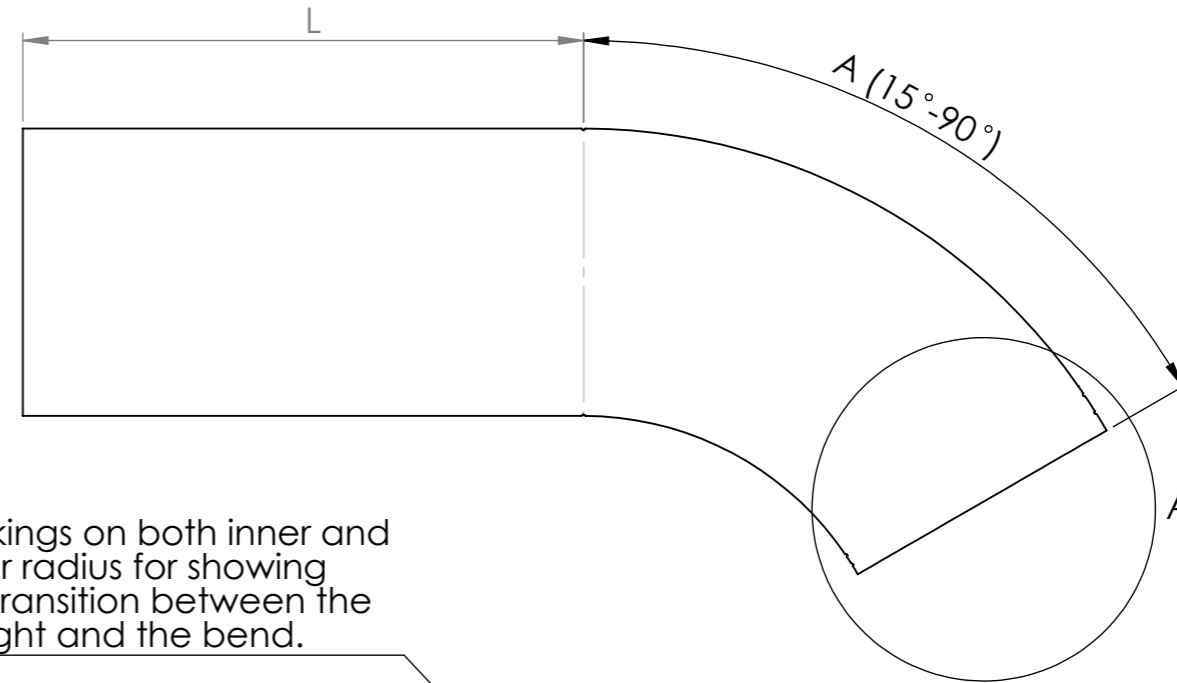
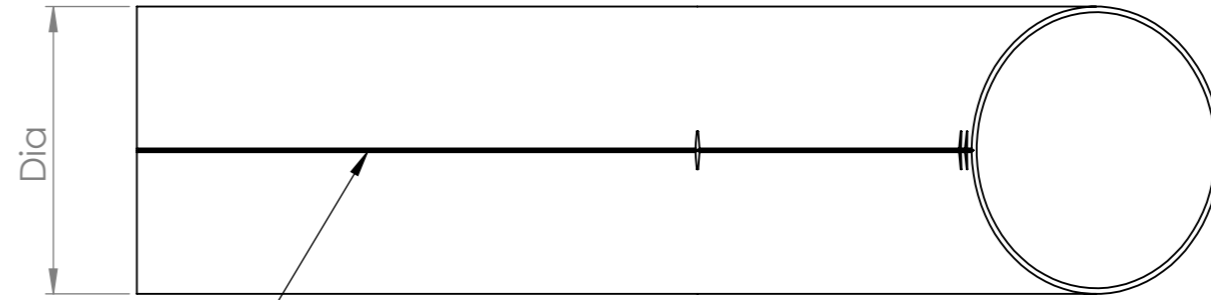
DETAIL A  
SCALE 1 : 1



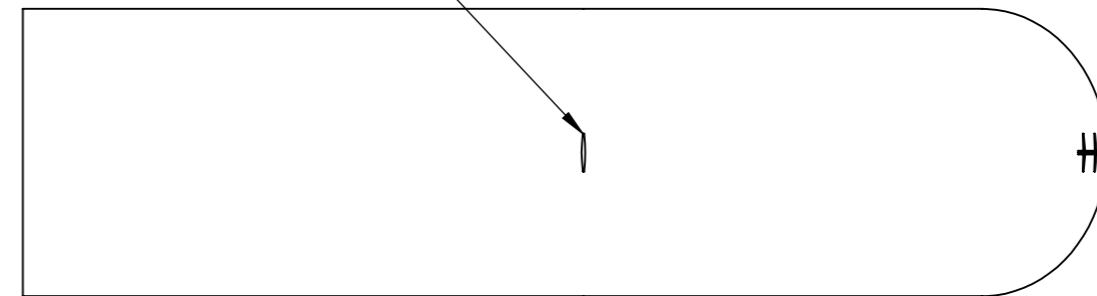
Laser engraved markings are made in steps of 2° to simplify a perpendicular cut.





Engraved index line along the complete bend for control of rotation.



Markings on both inner and outer radius for showing the transition between the straight and the bend.



 Metallfabrik AB S-514 55 Ljungsarp	RITAD AV	DATUM	BENÄMNING	
	VIKT	ERSÄTTER		
	 MATERIAL	RITINGSNR. <b>UA2XR</b>		UTGÅVA
SKALA: 1:2		A3	SHEET 1 OF 1	

Article	Name	Dia	A	CLR	L	t
UA28990R	Bend 89.0-90 R110	89.0	90°	110	200	1.5
UA28985R	Bend 89.0-85 R110	89.0	85°	110	200	1.5
UA28980R	Bend 89.0-80 R110	89.0	80°	110	200	1.5
UA28975R	Bend 89.0-75 R110	89.0	75°	110	200	1.5
UA28970R	Bend 89.0-70 R110	89.0	70°	110	200	1.5
UA28965R	Bend 89.0-65 R110	89.0	65°	110	200	1.5
UA28960R	Bend 89.0-60 R110	89.0	60°	110	200	1.5
UA28955R	Bend 89.0-55 R110	89.0	55°	110	200	1.5
UA28950R	Bend 89.0-50 R110	89.0	50°	110	200	1.5
UA28945R	Bend 89.0-45 R110	89.0	45°	110	200	1.5
UA28940R	Bend 89.0-40 R110	89.0	40°	110	200	1.5
UA28935R	Bend 89.0-35 R110	89.0	35°	110	200	1.5
UA28930R	Bend 89.0-30 R110	89.0	30°	110	200	1.5
UA28925R	Bend 89.0-25 R110	89.0	25°	110	200	1.5
UA28920R	Bend 89.0-20 R110	89.0	20°	110	200	1.5
UA28915R	Bend 89.0-15 R110	89.0	15°	110	200	1.5
UA27690R	Bend 76.0-90 R120	76.0	90°	120	210	1.5
UA27685R	Bend 76.0-85 R120	76.0	85°	120	210	1.5
UA27680R	Bend 76.0-80 R120	76.0	80°	120	210	1.5
UA27675R	Bend 76.0-75 R120	76.0	75°	120	210	1.5
UA27670R	Bend 76.0-70 R120	76.0	70°	120	210	1.5
UA27665R	Bend 76.0-65 R120	76.0	65°	120	210	1.5
UA27660R	Bend 76.0-60 R120	76.0	60°	120	210	1.5
UA27655R	Bend 76.0-55 R120	76.0	55°	120	210	1.5
UA27650R	Bend 76.0-50 R120	76.0	50°	120	210	1.5
UA27645R	Bend 76.0-45 R120	76.0	45°	120	210	1.5
UA27640R	Bend 76.0-40 R120	76.0	40°	120	210	1.5
UA27635R	Bend 76.0-35 R120	76.0	35°	120	210	1.5
UA27630R	Bend 76.0-30 R120	76.0	30°	120	210	1.5
UA27625R	Bend 76.0-25 R120	76.0	25°	120	210	1.5
UA27620R	Bend 76.0-20 R120	76.0	20°	120	210	1.5
UA27615R	Bend 76.0-15 R120	76.0	15°	120	210	1.5
UA26390R	Bend 63.5-90 R100	63.5	90°	100	220	1.5
UA26385R	Bend 63.5-85 R100	63.5	85°	100	220	1.5
UA26380R	Bend 63.5-80 R100	63.5	80°	100	220	1.5
UA26375R	Bend 63.5-75 R100	63.5	75°	100	220	1.5
UA26370R	Bend 63.5-70 R100	63.5	70°	100	220	1.5
UA26365R	Bend 63.5-65 R100	63.5	65°	100	220	1.5
UA26360R	Bend 63.5-60 R100	63.5	60°	100	220	1.5
UA26355R	Bend 63.5-55 R100	63.5	55°	100	220	1.5
UA26350R	Bend 63.5-50 R100	63.5	50°	100	220	1.5
UA26345R	Bend 63.5-45 R100	63.5	45°	100	220	1.5
UA26340R	Bend 63.5-40 R100	63.5	40°	100	220	1.5
UA26335R	Bend 63.5-35 R100	63.5	35°	100	220	1.5
UA26330R	Bend 63.5-30 R100	63.5	30°	100	220	1.5
UA26325R	Bend 63.5-25 R100	63.5	25°	100	220	1.5
UA26320R	Bend 63.5-20 R100	63.5	20°	100	220	1.5
UA26315R	Bend 63.5-15 R100	63.5	15°	100	220	1.5